

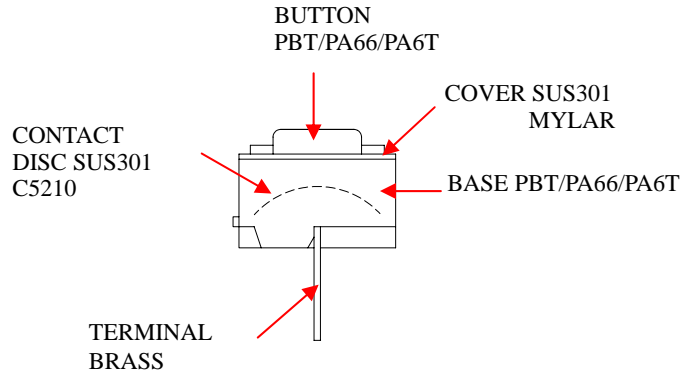
# HUAI YANG CO.,LTD.

## TS Series TACT SWITCH

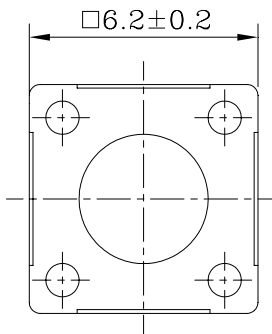
## MATERIALS



TS-01T(S)-\*\*\*-\*



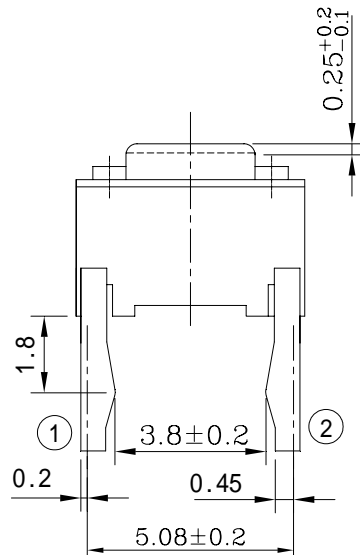
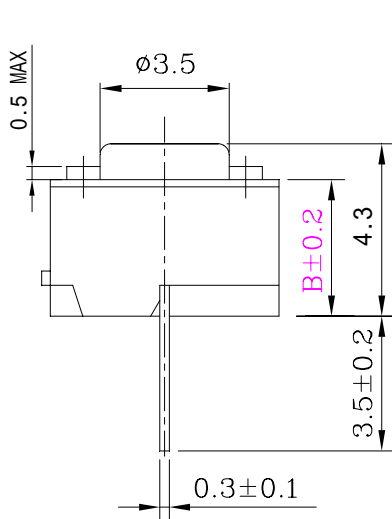
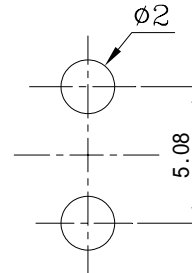
## DIMENSION DRAWING



### SCHEMATIC



### P.C.B. HOLE DETAIL

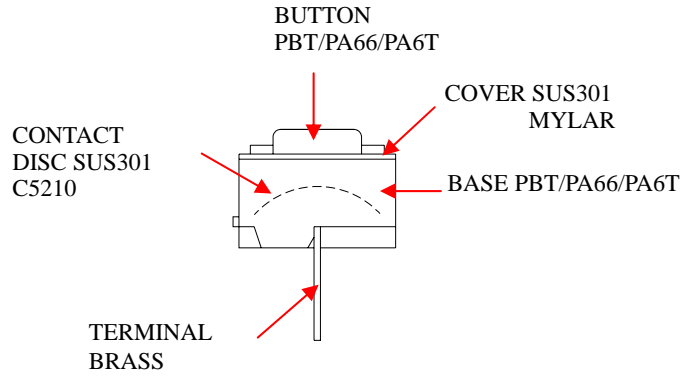


PART NO.	B =
TS-01T-***	3.20
TS-01TS-***	3.15

operating force	70 ± 20	100 ± 40	130 ± 40	160 ± 50	170 ± 50	250 ± 60
-----------------	---------	----------	----------	----------	----------	----------

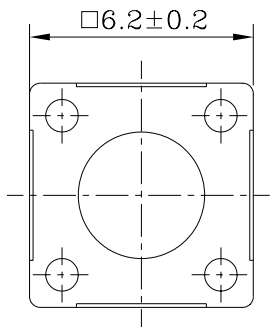
# TS Series TACT SWITCH

## MATERIALS



TS-\*\*\*T(S)-\*\*\*-\*

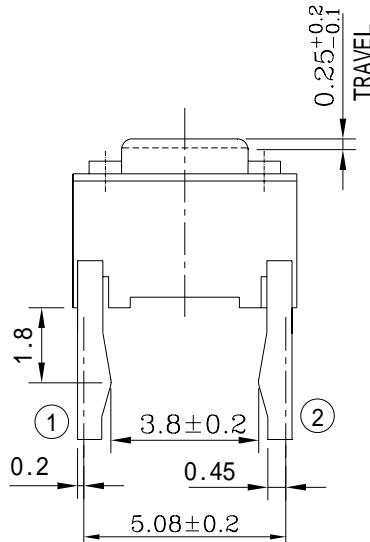
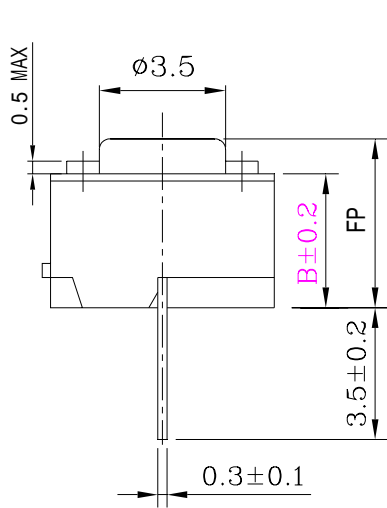
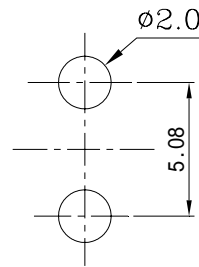
## DIMENSION DRAWING



### SCHEMATIC



### P.C.B. HOLE DETAIL



PART NO.	B
TS-XXT-***	3.55
TS-XXTS-***	3.5

operating force	70 ± 20	100 ± 40	130 ± 40	160 ± 50	170 ± 50	250 ± 60
-----------------	---------	----------	----------	----------	----------	----------

MODEL	TS-02T(S)	TS-03T(S)	TS-04T(S)	TS-07T(S)	TS-08T(S)	TS-09T(S)	TS-10T(S)	TS-11T(S)	TS-12T(S)	TS-13T(S)	TS-14T(S)
FP	5.0	7.0	9.5	6.3	12.0	7.9	13.0	5.7	4.2	17.0	5.5